



Modular Solenoid valve 2/2 way N.C. Direct acting

JM Series R0

PRESENTATION

Direct acting S.V. for interception of fluids compatible with the construction materials.

Minimum operational pressure is not required.

The materials used and the tests carried out ensure maximum reliability and duration.

USE: Automation, Sterilization
Vending

PIPES: G 1/8 male/female; Ø 6 (hose connection);
fast fitting

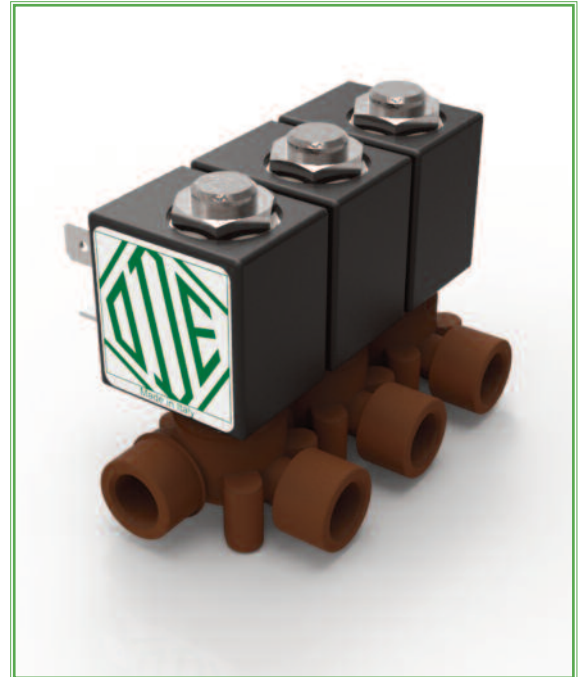
COILS: 5W - Ø 10
LBA 155°C (class F)
LBV 180°C (class H)

**COIL HOUSING AND COIL FORMER MATERIAL ARE
MADE BY 100% VIRGIN MATERIAL.**

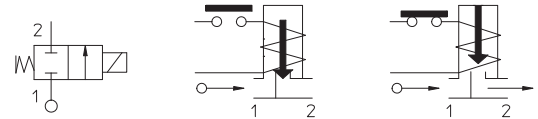
Max. allowable pressure (PS) 16 bar

Ambient temperature:

See coils catalogue page for its compatibility.



Gaskets	Temperature		Medium
V=FKM (fluoroelastomer)	- 10°C	+140°C	Air, water, inert gas, steam
B=NBR (nitrile rubber)	- 10°C	+ 90°C	Water, air, inert gas



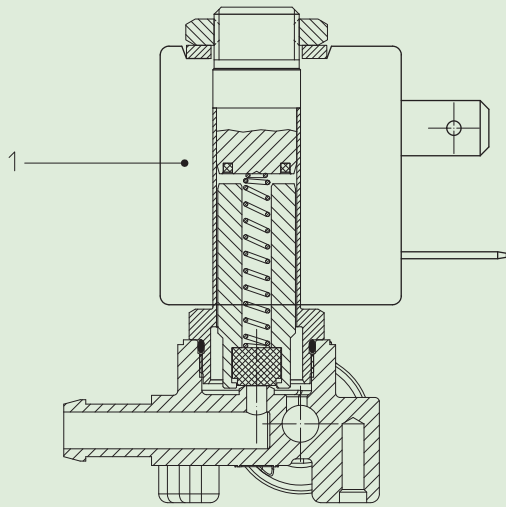
For left inlet replace the letter "A" with "B" Es. 23MB1VBABABA

Pipe ISO 228/1	Std code n. 3 modules (inlet right)	Max viscosity		Ø mm	Kv l/mn	Power watt	Pressure						
		cSt	°E				min bar	M.O.P.D. AC bar DC bar					
G 1/8 male ISO 228/1	23MA1VBABABA	12	~ 2	1,2	0,8	5	0	15	15				
	23MA1VBABBBB	37	~ 5	2,3	2				6				
	23MA1VBCBCBC	53	~ 7	2,6	2,5			10	3,5				
G 1/8 female ISO 228/1	23MA2VAAAAAA	12	~ 2	1,2	0,8			5	0	15	15		
	23MA2VABABAB	37	~ 5	2,3	2						6		
	23MA2VACACAC	53	~ 7	2,6	2,5					10	3,5		
Ø 6 ext.	23MA3VCACACA	12	~ 2	1,2	0,8					5	0	15	15
	23MA3VCBCBCB	37	~ 5	2,3	2								6
	23MA3VCCCCC	53	~ 7	2,6	2,5							10	3,5
Fast fitting	23MA4VDADADA	12	~ 2	1,2	0,8	5	0					15	15
	23MA4VDBDBDB	37	~ 5	2,3	2								6
	23MA4VDCDCDC	53	~ 7	2,6	2,5							10	3,5

Note

Max torque for fittings 2Nm max, coil nut assembly 2Nm max; armature tube 4Nm max | Use the seal fittings compatible with the material of the body | Don't mount the groups with 1 or more elements cantilever | For application with steam or with PS above the 16 bar, please consult our Technical Service.

The "ODE" reserves the right to carry out technical and aesthetic modifications without prior notice.



MATERIALS:

Body
Armature tube
Fixed core
Plunger
Phase displacement ring
Spring
Seal

PPS
 Stainless steel AISI series 300
 Stainless steel AISI series 400
 Stainless steel AISI series 400
 Gold plated copper
 Stainless steel AISI series 300
 Standard: V=FKM
 On request: B=NBR
 PPS

Orificie
On request:
Connector
Connector conformity

Pg 9 o Pg 11
 ISO 4400

FEATURES:

Electrical conformity
Protection degree

IEC 335
 IP 65 EN 60529 (DIN 40050)
 with coil fitted by connector.

SPARE PARTS:

1. Coil:

See coils list

O-Ring for modules:

Code R990005/VX

Locker clip:

Code R453121

ACCESSORIES:

Tube (int.Ø 2 mm; ext.Ø 4mm)
 for fast fitting

Code R453130/

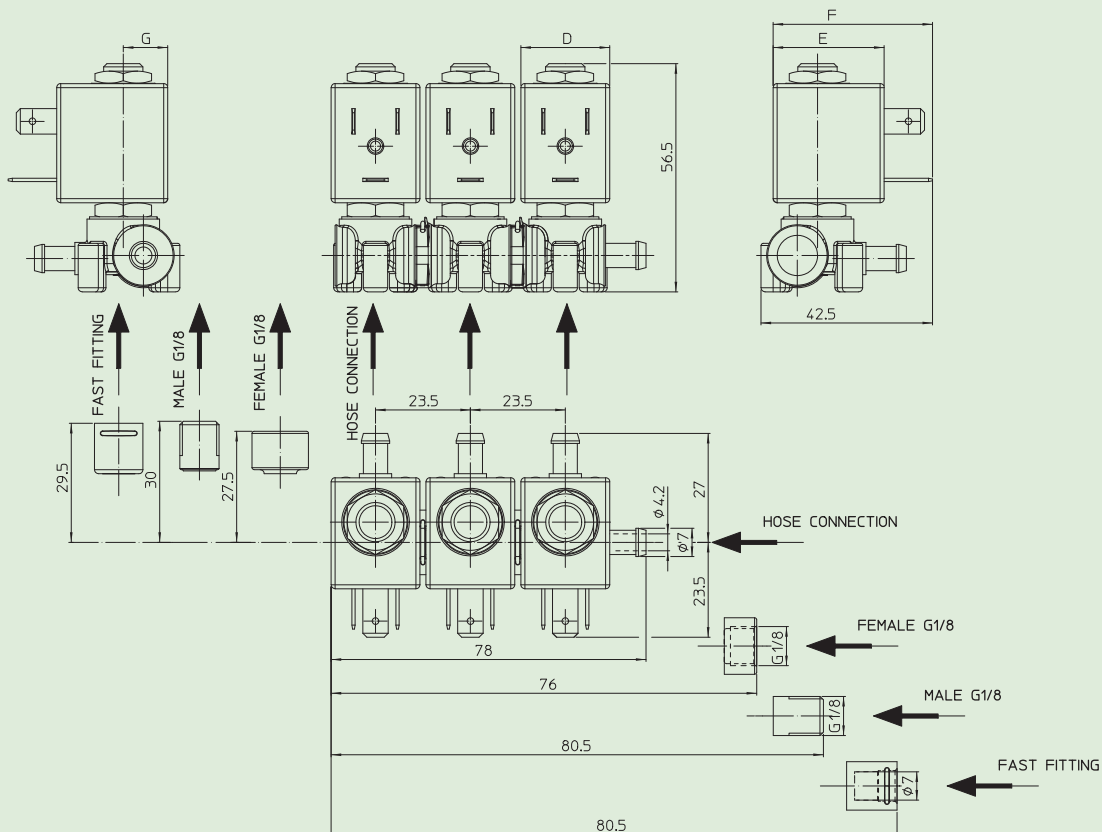
Tube with male fitting

Code R453154/

Tube with double male fitting

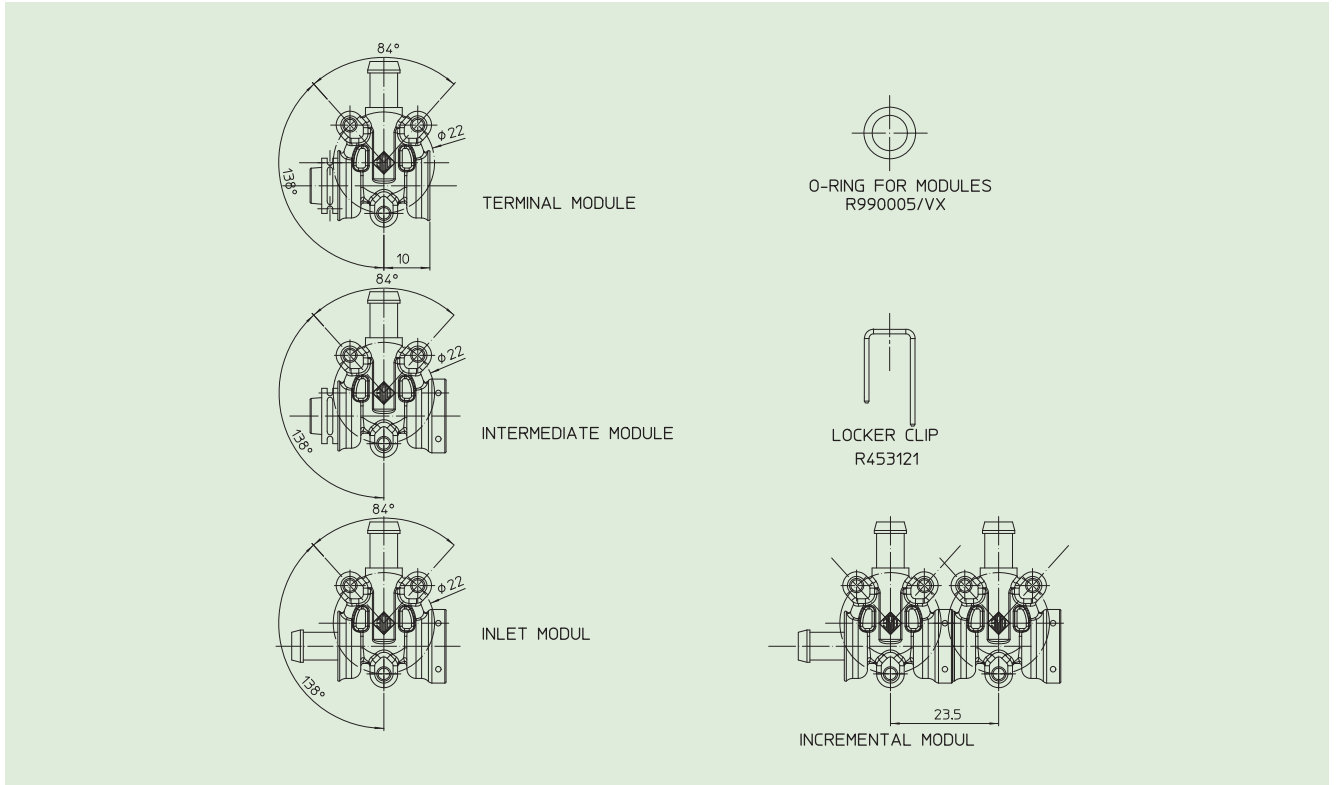
(see catalogue page)

DIMENSIONS:

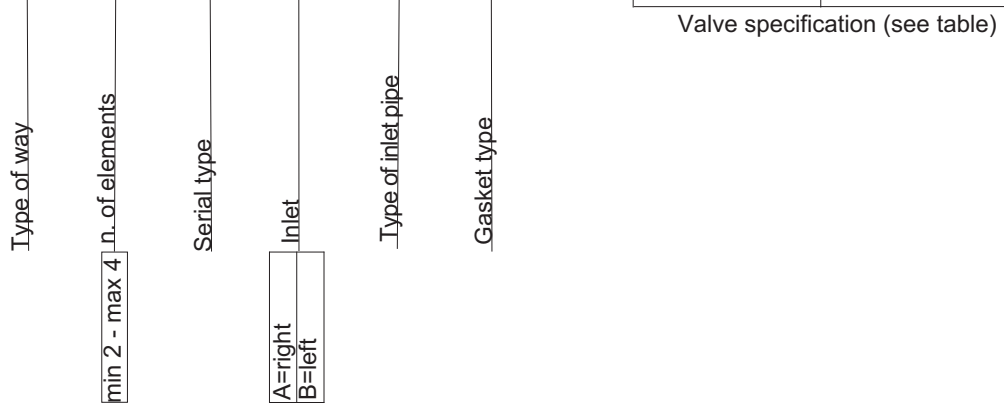




COIL TYPE	POWER ABSORPTION			DIMENSIONS			
	W ==	Hold VA ~	Inrush VA ~	D mm	E mm	F mm	G mm
L	5	10	15	22	27,5	39,5	11



2	3	M	A	1	V	B	A	B	A	B	A
---	---	---	---	---	---	---	---	---	---	---	---

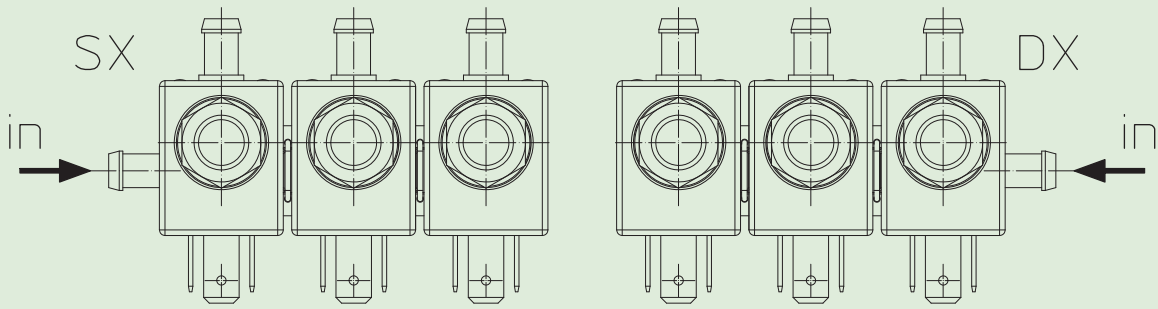


Pipe outlet	Ø orifice	Element code
1	1,2	BA
2		AA
3		CA
4	2,3	DA
1		BB
2		AB
3	2,6	CB
4		DB
1		BC
2	2,6	AC
3		CC
4		DC

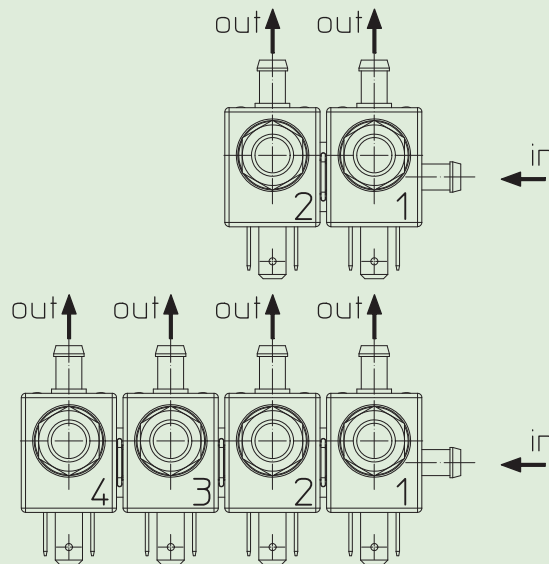
Pipe code inlet / outlet			
1	G 1/8 male	3	Hose connection
2	G 1/8 female	4	Fast fitting

Description/example
 2= number of way
 3=n. 3 elements
 M= Modular plastic series
 A= Set S.V. with right inlet
 1= Inlet G 1/8 male
 V= FKM Seal
 BA= Outlet G 1/8; Ø orifice 1,2; fixed core type R0
 BA= Outlet G 1/8; Ø orifice 1,2; fixed core type R0
 BA= Outlet G 1/8; Ø orifice 1,2; fixed core type R0

TYPE WITH LEFT AND RIGHT INLET



SET S.V. FROM N. 2 TO N. 4 S.V.



ROTATIONAL STEP TO 90°

